

JUNCTION BOX

INTRODUCTION:

The Junction Cum Switch box of PMT has been designed to be used to terminate four core cables of maximum 10 / 20 sensors from the site at a convenient safe location and connect to a multiple core cable through which data may be transferred to the readout unit / control room / data logger or computer system. Different options of cable glands may be used depending upon the type of

FEATURES:

- Precise, rugged, interchangeable and low cost.
- Compact construction.
- Easy installation.

DESCRIPTION:

Connect the output line of frequency and temperature to the channels of Junction Cum Switch Box. You must stick cable on the terminal block. And so, you must that the cable is not off or free by vibration or impact, when connect cable with the terminal block.

SPECIFICATIONS:

Enclosure: IP65

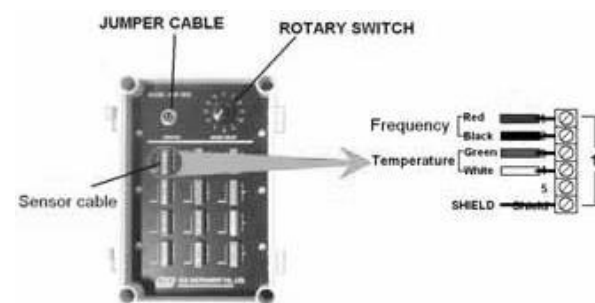
Connection channel of sensors: 10 nos.

Material: Aluminium die cast

Dimensions and ranges are nominal only and can be modified to suit project requirements.



JUNCTION BOX



SETUP